

## Snap Cap Microcentrifuge Tubes

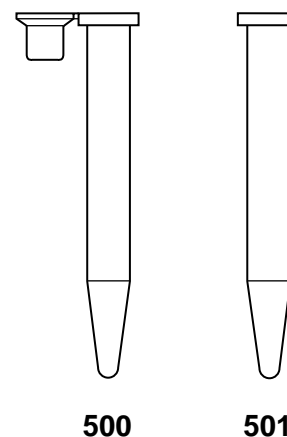
**Our Microcentrifuge Tubes offer a combination of quality and features that result in superior products.**

- Snap-seal closure provides a leak-tight seal.
- Translucent; excellent view of contents.
- Pierceable cap allows for sample removal.
- Flexible attachment arms.
- Non-wettable for complete sample recovery.
- Uniform wall thickness.
- Smooth interior wall surface to simplify sample recovery.
- Graduation marks on selected products for volume estimation.
- Frosted writing areas on selected products for easy identification.
- Polypropylene tubes are autoclavable to 120°C, freezable to -80°C.
- 0.6, 1.5 and 2.0ml tubes can easily withstand up to 17,000 X G (RCF).

### 0.4ml Tube and Cap

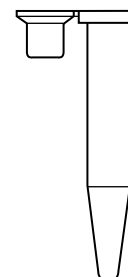
*Low density polyethylene is soft and easily cut to remove pellets. Tubes are not autoclavable.*

Product No.	Color	Package Type	Qty/ Unit	Qty/ Case	Price/ Unit
<b>500</b>	Natural	Bagged (Tube & Cap)	1,000	10,000	
<b>501</b>	Natural	Bagged (Tube Only)	1,000	10,000	



### 0.25ml Tube with Cap

Product No.	Color	Package Type	Qty/ Unit	Qty/ Case	Price/ Unit
<i>Polypropylene</i>					
<b>503</b>	Natural	Bagged	1,000	10,000	
<i>Low Density Polyethylene</i>					
<b>504</b>	Natural	Bagged	1,000	10,000	



## Centrifuge Tubes and Racks

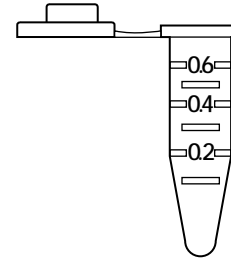
# 3

### Snap Cap Microcentrifuge Tubes

#### 0.6ml Graduated Tube with Flat Top Cap

Polypropylene tube and cap

Frosted writing area on tube and cap



Product No.	Color	Package Type	Qty/ Unit	Qty/ Case	Price/ Unit
502-GRD***	Natural	Bagged	1,000	10,000	
502-GRDS	Natural	Single Wrap - S	500	5,000*	

\*\*\* A variety of colored tubes are available: red, blue, green, yellow, orange, violet, amber, or mixed. (Mixed: All colors except natural and amber are mixed together in the bag).

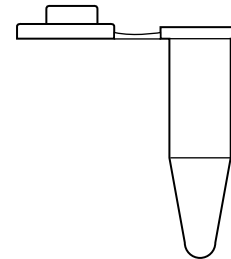
**Note:** Colored tubes must be ordered by the case. Add \$.50 per unit.

#### 0.6ml Plain Tube with Flat Top Cap

Polypropylene tube and cap

"Preferred tube for PCR"

\* PCR process is covered by patents owned by Hoffman-La Roche, Inc.



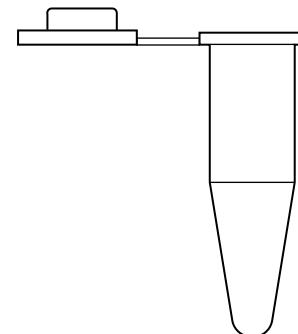
Product No.	Color	Package Type	Qty/ Unit	Qty/ Case	Price/ Unit
502-PLN***	Natural	Bagged	1,000	10,000	
502-PLNS	Natural	Single Wrap - S	500	5,000*	

\*\*\* A variety of colored tubes are available: red, blue, green, yellow, orange, violet, amber or mixed. (Mixed: All colors except natural and amber are mixed together in the bag.)

**Note:** Colored tubes must be ordered by the case. Add \$.50 per unit.

#### 1.5ml Tube with Indented Cap

Polypropylene tube and cap



Product No.	Color	Package Type	Qty/ Unit	Qty/ Case	Price/ Unit
505***	Natural	Bagged	500	5,000	
505-S	Natural	Single Wrap - S	250	2,500*	

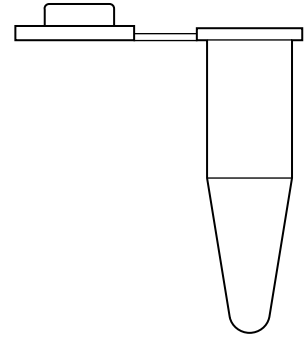
\*\*\* A variety of colored tubes are available: red, blue, green, yellow, orange, violet, amber, or mixed. (Mixed: All colors except natural and amber are mixed together in the bag.)

**Note:** Colored tubes must be ordered by the case. Add \$.25 per unit.

# Snap Cap Microcentrifuge Tubes

## 1.5ml Tube with Flat Top Cap

*Polypropylene tube and cap*

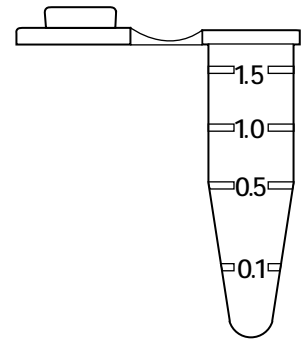


Product No.	Color	Package Type	Qty/ Unit	Qty/ Case	Price/ Unit
505-FT	Natural	Bagged	500	5,000	
505-FTS	Natural	Single Wrap - S	250	2,500*	

## 1.5ml Graduated Tube with Flat Top Cap

*Polypropylene tube and cap*

*Frosted writing area on tube and cap*



Product No.	Color	Package Type	Qty/ Unit	Qty/ Case	Price/ Unit
509-GRD***	Natural	Bagged	500	5,000	
509-GRDS	Natural	Single Wrap - S	250	2,500*	

\*\*\* A variety of colored tubes are available: red, blue, green, yellow, orange, violet, amber, or mixed. (Mixed: All colors except natural and amber are mixed together in the bag.)

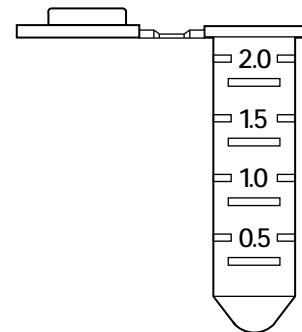
**Note:** Colored tubes must be ordered by the case. Add \$.25 per unit.

## 2.0ml Graduated Tube with Flat Top Cap

*Polypropylene tube and cap*

*Frosted writing area on tube and cap*

The 508-GRD can withstand centrifuge force up to 25,000 x G.



Product No.	Color	Package Type	Qty/ Unit	Qty/ Case	Price/ Unit
508-GRD***	Natural	Bagged	500	5,000	
508-GRDS	Natural	Single Wrap - S	250	2,500*	

\*\*\* A variety of colored tubes are available: red, blue, green, yellow, orange, violet, amber, or mixed. (Mixed: All colors except natural and amber are mixed together in the bag.)

**Note:** Colored tubes must be ordered by the case. Add \$.25 per unit.

## Centrifuge Tubes and Racks

# 3

## Certified Snap Cap Microcentrifuge Tubes



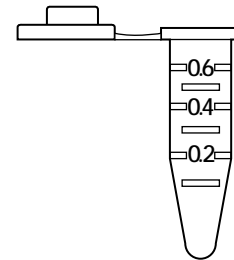
QSP® Certified Microcentrifuge Tubes are tested by an independent laboratory and are certified to be free of any RNase or DNase activity. Certificate of analysis available upon request.

- Both Standard and Low Adhesion tubes have frosted writing areas on the tube and flat top cap.
- Tubes are manufactured of polypropylene.
- Tubes with numbers ending with -SC are "Low Adhesion", manufactured with scientifically blended resins to minimize liquid retention and ensure optimum sample yield.

### 0.6ml Graduated Tube with Flat Top Cap

*Frosted writing area on tube and cap*

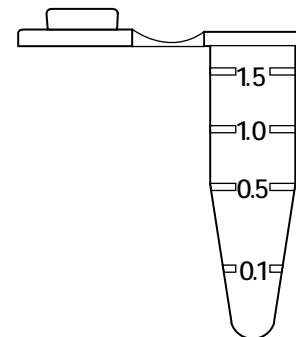
Product No.	Color	Package Type	Qty/ Unit	Qty/ Case	Price/ Unit
<b>C502-GRD</b>	Natural	Bagged	1,000	10,000	
<b>C502-GRD-SC</b>	Natural	Bagged	500	10,000	



### 1.5ml Graduated Tube with Flat Top Cap

*Frosted writing area on tube and cap*

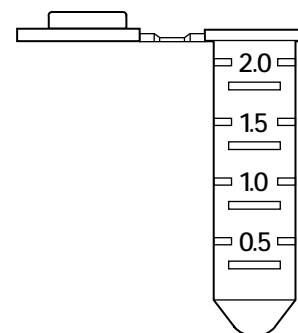
Product No.	Color	Package Type	Qty/ Unit	Qty/ Case	Price/ Unit
<b>C509-GRD</b>	Natural	Bagged	500	5,000	
<b>C509-GRD-SC</b>	Natural	Bagged	250	5,000	



### 2.0ml Graduated Tube with Flat Top Cap

*Frosted writing area on tube and cap*

Product No.	Color	Package Type	Qty/ Unit	Qty/ Case	Price/ Unit
<b>C508-GRD</b>	Natural	Bagged	500	5,000	
<b>C508-GRD-SC</b>	Natural	Bagged	250	5,000	



# Low Adhesion Snap Cap Microcentrifuge Tubes

Procedures requiring a low adhesion surface such as protein work and nucleic acid amplifications are simplified with our Low Adhesion Snap Cap Microcentrifuge Tubes.

Scientifically blended resins eliminate the use of lubricants that may be harmful to priceless samples. Liquid retention is minimized and optimal yield is ensured.

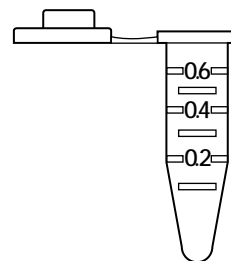
## 0.6ml Graduated Tube with Flat Top Cap

Frosted writing area on tube and cap

Product No.	Color	Package Type	Qty/ Unit	Qty/ Case	Price/ Unit
502-GRD-SC+	Natural	Bagged	500	10,000	0
502-GRD-SC-S+	Natural	Single Wrap - S	500	5,000*	

\*A variety of colored tubes are available: red, blue, green, yellow, orange, violet, amber, or mixed. (Mixed: All colors except natural and amber are mixed together in the bag.)

**Note:** Colored tubes must be ordered by the case. Add \$.50 per unit.



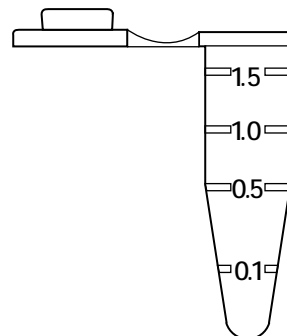
## 1.5ml Graduated Tube with Flat Top Cap

Frosted writing area on tube and cap

Product No.	Color	Package Type	Qty/ Unit	Qty/ Case	Price/ Unit
509-GRD-SC+	Natural	Bagged	250	5,000	
509-GRD-SC-S+	Natural	Single Wrap - S	250	2,500*	

\*A variety of colored tubes are available: red, blue, green, yellow, orange, violet, amber, or mixed. (Mixed: All colors except natural and amber are mixed together in the bag.)

**Note:** Colored tubes must be ordered by the case. Add \$.25 per unit.



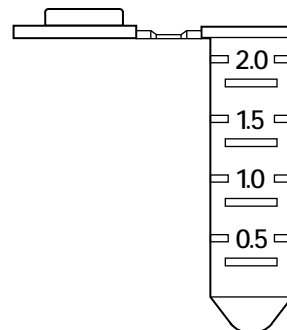
## 2.0ml Graduated Tube with Flat Top Cap

Frosted writing area on tube and cap

Product No.	Color	Package Type	Qty/ Unit	Qty/ Case	Price/ Unit
508-GRD-SC+	Natural	Bagged	250	5,000	
508-GRD-SC-S+	Natural	Single Wrap - S	250	2,500*	

\*A variety of colored tubes are available: red, blue, green, yellow, orange, violet, amber, or mixed. (Mixed: All colors except natural and amber are mixed together in the bag.)

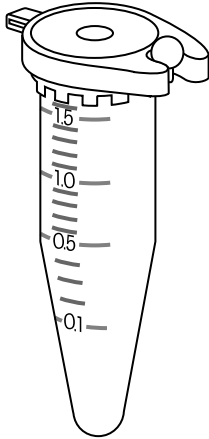
**Note:** Colored tubes must be ordered by the case. Add \$.25 per unit.



## Centrifuge Tubes and Racks

# 3

### Locking Cap Microcentrifuge Tubes



A superior lock for safe and convenient centrifuging, boiling, freezing, incubation or storage of samples. Whether the procedure is critical or routine, this will become your tube of choice.

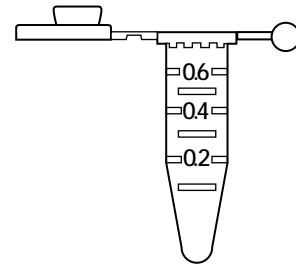
QSP® locking microcentrifuge tubes offer the same sample security as found with screw cap tubes yet maintain the same ease of use as a snap cap. Unique design allows visual confirmation that the tube is locked.

The pierceable cap snaps closed and the lock easily slips into place with a simple one hand operation. The larger, rounder cap design proves less stressful to the thumb. Smooth surfaces reduce the possibility of ripped or punctured gloves.

Manufactured of ultra clear, autoclavable polypropylene.

#### 0.6ml Graduated Tube with Locking Cap

Tubes feature graduation marks at 0.1ml increments up to 0.6ml for quick reference. Maximum volume is 0.6ml. Frosted writing surfaces on the side of the tube and top of the cap are ideal for sample identification.



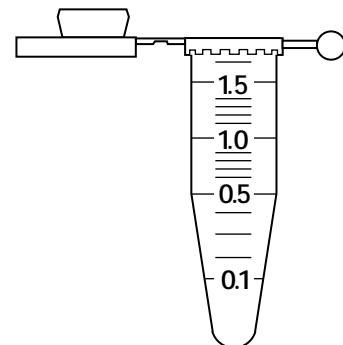
Product No.	Color	Package Type	Qty/ Unit	Qty/ Case	Price/ Unit
L-502-GRD**	Natural	Bagged	1,000	10,000	
L-502-GRDS	Natural	Single Wrap - S	500	5,000*	

\*\* A variety of colored tubes are available: red, blue, green, yellow, orange, violet, amber, or mixed. (Mixed: All colors except natural and amber are mixed together in the bag.)

**Note:** Colored tubes must be ordered by the case. Add \$.50 per unit.

#### 1.5-1.7ml Graduated Tube with Locking Cap

Tubes feature graduation marks at 0.1ml increments up to 1.6ml for quick reference. Maximum volume is 1.7ml. Frosted writing surfaces on the side of the tube and top of the cap are ideal for sample identification.



Product No.	Color	Package Type	Qty/ Unit	Qty/ Case	Price/ Unit
L-510-GRD**	Natural	Bagged	500	5,000	
L-510-GRDS	Natural	Single Wrap - S	250	2,500*	

\*\* A variety of colored tubes are available: red, blue, green, yellow, orange, violet, amber, or mixed. (Mixed: All colors except natural and amber are mixed together in the bag.)

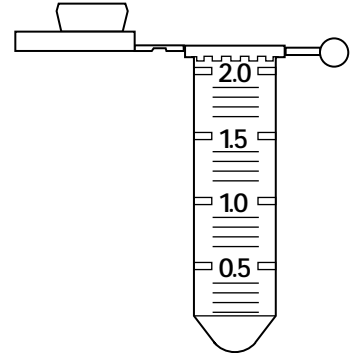
**Note:** Colored tubes must be ordered by the case. Add \$.25 per unit.

# Locking Cap Microcentrifuge Tubes

## 2.0ml Graduated Tube with Locking Cap

Tubes feature graduation marks at 0.1ml increments up to 2.0ml for quick reference. Maximum volume is 2.0ml. Frosted writing surfaces on the side of the tube and top of the cap are ideal for sample identification.

The L-508-GRD can withstand centrifuge force up to 30,000 x G.



Product No.	Color	Package Type	Qty/ Unit	Qty/ Case	Price/ Unit
<b>L-508-GRD**</b>	Natural	Bagged	500	5,000	
<b>L-508-GRDS</b>	Natural	Single Wrap - S	250	2,500*	

\*\* A variety of colored tubes are available: red, blue, green, yellow, orange, violet, amber, or mixed. (Mixed: All colors except natural and amber are mixed together in the bag.)

**Note:** Colored tubes must be ordered by the case. Add \$.25 per unit.

## Centrifuge Tubes and Racks

### 3

## Screw Cap Microtubes & Caps

Manufactured of polypropylene, our microtubes are sturdy enough to withstand centrifugation (20,000 x G) and are suitable for vapor-phase liquid nitrogen storage, boiling and autoclaving.

- All tubes and caps feature a frosted writing area for easy identification.
- External ribs on tubes, position and lock them into place in racks with serrated holes, allowing single-handed opening and closing.
- Conical bottom allows for more complete sample retrieval.
- Autoclavable (Refer to Section 6 for recommended autoclaving instructions).
- Tubes and caps with or without O-Ring are available in amber for "Light Sensitive" samples.
- Pre-Sterilized tubes have the caps attached - 50 tubes with caps per bag/10 bags per unit. Sterilized by Gamma-Cobalt 60 Irradiation.

QSP® cap with molded in liner, MIL-526, is a revolutionary and cost reducing approach to screw cap technology. Starting with thermoplastic rubber engineered specifically for medical applications, high heat and pressure are used to fuse the rubber to the polypropylene cap as it is being molded. The resulting molded in liner forms a positive leak proof seal with the rim of our screw cap tubes and provides greater resistance to chemicals and fluids. Our new one-step automated manufacturing process allows hands-free production to ensure absolute cleanliness of the product.

MIL-526 is completely autoclavable.

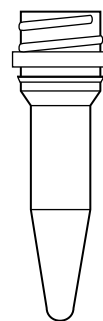
Our cap with or without O-ring, features a frosted writing area for easy sample identification and is easily pierced for sample removal.

QSP O-ring is manufactured of autoclavable ethylene/propylene. The positive seal formed by the O-ring against the rim of our screw cap tubes insures against leakage.

With *molded in liner*, with *O-ring* or *without O-ring*, QSP® screw caps easily align with the threads of the tubes, adding speed and efficiency to the on and off operation.

## 0.5ml Conical Tube and Caps

Product No.	Color	Package Type	Qty/ Unit	Qty/ Case	Price/ Unit
511**	Natural	Bagged (Tube Only)	500	5,000	
MIL-512	Natural	Bagged (Tube & Cap w Molded in Liner)	500	5,000	
MIL-512-S	Natural	Bagged - S (Tube & Cap w Molded in Liner)	500	2,500	
512	Natural	Bagged (Tube & Cap w O-Ring)	500	5,000	
512-S	Natural	Bagged - S (Tube & Cap w O-Ring)	500	2,500	

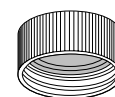
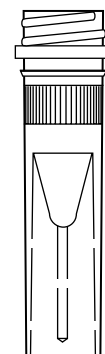


\*\* Available in amber - Add \$.25 per unit.

## Screw Cap Microtubes & Caps

### 0.5ml Free-Standing Tube and Caps

Product No.	Color	Package Type	Qty/ Unit	Qty/ Case	Price/ Unit
<b>516**</b>	Natural	Bagged (Tube Only)	500	5,000	
<b>MIL-517</b>	Natural	Bagged (Tube & Cap w Molded in Liner)	500	5,000	
<b>MIL-517-S</b>	Natural	Bagged - S (Tube & Cap w Molded in Liner)	500	2,500	
<b>517</b>	Natural	Bagged (Tube & Cap w O-Ring)	500	5,000	
<b>517-S</b>	Natural	Bagged - S (Tube & Cap w O-Ring)	500	2,500	



MIL Cap

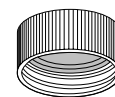
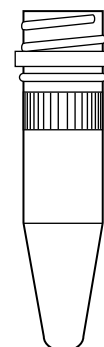


Cap with or  
w/o O-Ring

\*\* Available in amber - Add \$.25 per unit.

### 1.5ml Conical Tube and Caps

Product No.	Color	Package Type	Qty/ Unit	Qty/ Case	Price/ Unit
<b>513</b>	Natural	Bagged (Tube & Cap w/o O-Ring)	500	5,000	
<b>514**</b>	Natural	Bagged (Tube Only)	500	5,000	
<b>MIL-515</b>	Natural	Bagged (Tube & Cap w Molded in Liner)	500	5,000	
<b>MIL-515-S</b>	Natural	Bagged - S (Tube & Cap w Molded in Liner)	500	2,500	
<b>515</b>	Natural	Bagged (Tube & Cap w O-Ring)	500	5,000	
<b>515-S</b>	Natural	Bagged - S (Tube & Cap w O-Ring)	500	2,500	



MIL Cap

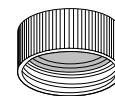


Cap with or  
w/o O-Ring

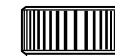
\*\* Available in amber - Add \$.25 per unit.

### 1.5ml Free-Standing Tube and Caps

Product No.	Color	Package Type	Qty/ Unit	Qty/ Case	Price/ Unit
<b>527</b>	Natural	Bagged (Tube & Cap w/o O-Ring)	500	5,000	
<b>528**</b>	Natural	Bagged (Tube Only)	500	5,000	
<b>MIL-529</b>	Natural	Bagged (Tube & Cap w Molded in Liner)	500	5,000	
<b>MIL-529-S</b>	Natural	Bagged - S (Tube & Cap w Molded in Liner)	500	2,500	
<b>529</b>	Natural	Bagged (Tube & Cap w O-Ring)	500	5,000	
<b>529-S</b>	Natural	Bagged - S (Tube & Cap w O-Ring)	500	2,500	



MIL Cap



Cap with or  
w/o O-Ring

\*\* Available in amber - Add \$.25 per unit.

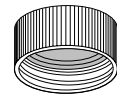
## Centrifuge Tubes and Racks

# 3

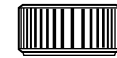
## Screw Cap Microtubes & Caps

### 2.0ml Conical Tube and Cap

Product No.	Color	Package Type	Qty/ Unit	Qty/ Case	Price/ Unit
521**	Natural	Bagged (Tube Only)	500	5,000	
MIL-522	Natural	Bagged (Tube & Cap w Molded in Liner)	500	5,000	
MIL-522-S	Natural	Bagged - S (Tube & Cap w Molded in Liner)	500	2,500	
522	Natural	Bagged (Tube & Cap w O-Ring)	500	5,000	
522-S	Natural	Bagged - S (Tube & Cap w O-Ring)	500	2,500	



MIL Cap

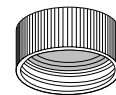
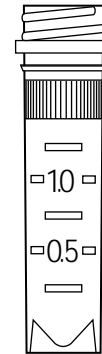


Cap with or  
w/o O-Ring

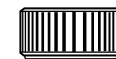
\*\* Available in amber - Add \$.25 per unit.

### 2.0ml "Graduated" Free-Standing Tube and Caps

Product No.	Color	Package Type	Qty/ Unit	Qty/ Case	Price/ Unit
518-GRD	Natural	Bagged (Tube & Cap w/o O-Ring)	500	5,000	
519-GRD**	Natural	Bagged (Tube Only)	500	5,000	
MIL-520-GRD	Natural	Bagged (Tube & Cap w Molded in Liner)	500	5,000	
MIL-520-GRD-S	Natural	Bagged - S (Tube & Cap w Molded in Liner)	500	2,500	
520-GRD	Natural	Bagged (Tube & Cap w O-Ring)	500	5,000	
520-GRDS	Natural	Bagged - S (Tube & Cap w O-Ring)	500	2,500	



MIL Cap

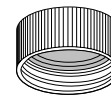


Cap with or  
w/o O-Ring

\*\* Available in amber - Add \$.25 per unit.

### Screw Cap (with Molded in Liner) for Microtubes

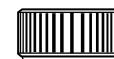
Product No.	Color	Package Type	Qty/ Unit	Qty/ Case	Price/ Unit
MIL-526*	Natural	Bagged	500	5,000	



Cross Section

### Screw Cap (with or without O-Ring) for Microtubes

Product No.	Color	Package Type	Qty/ Unit	Qty/ Case	Price/ Unit
524*	Natural	Bagged (Cap Only w/o O-Ring)	500	5,000	
525*	Natural	Bagged (Cap Only w O-Ring)	500	5,000	



Cap with or  
w/o O-Ring

\* A variety of colored caps are available: red, blue, green, yellow, orange, pink, violet, amber, white, black or mixed.  
(Mixed: All colors except natural, black, white and amber are mixed together in the bag.)

**Note:** Order black as BLK.

**Note:** Colored caps must be ordered by the case. Add \$.25 per unit.

## Screw Cap Microtubes & Tether Cap

### Leash and Loop Molded in Tether

Cap mix-up and sample contamination can be avoided with the QSP® tether screw cap. The molded in tether (leash and loop) allows the cap to remain attached to the body of the tube whether the cap is open or closed.

When attached to the screw cap microtube, the tether rotates freely for easy opening and closing of the cap. Tethered caps can be easily removed from the tubes if desired.

Caps are manufactured of ultragrade polypropylene and are available with or without an O-Ring. O-Rings are made of autoclavable ethylene/propylene and form a positive seal with the rim of our tubes-the best insurance against leakage.

Tubes and caps are manufactured of polypropylene and can withstand centrifugation (20,000 x G). They are also suitable for vapor-phase liquid nitrogen storage, boiling and autoclaving. (Refer to Section 6 for recommended autoclaving instructions).

- All tubes and caps feature a frosted writing area for easy identification.
- Tether caps are available in a variety of colors for quick color coding.
- External ribs on tubes position and lock them into place in racks with serrated holes, allowing single-handed opening and closing.
- Conical bottom of tubes allows for more complete sample retrieval.
- Available in amber for *light sensitive samples*.

### Packaging Options

**Connected Tubes and Caps** - To save researchers and technicians valuable time and effort, caps are connected, but not screwed onto the tube, allowing quick access and ease of use. Unit package is 500 tubes with connected caps in one bag.

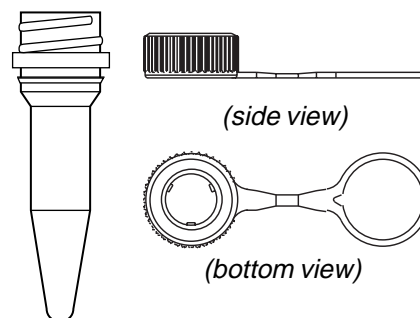
**Non-Connected Tubes and Caps** - Unit package is 500 tubes and a packet of tether caps in one bag.

**Pre-Sterilized Tubes** - Tether caps are attached and screwed onto the tubes. 50 tubes with caps per bag/10 bags per unit. Sterilized by Gamma-Cobalt 60 Irradiation.

**Note:** Connected, Non-Connected and Sterilized versions come with *Natural Colored caps* and tubes.

### 0.5ml Conical Tube and Tether Cap

Product No.	Color	Package Type	Qty/Unit	Qty/Case	Price/Unit
511**	Natural	Bagged (Tube Only)	500	5,000	
TC-511	Natural	Bagged (Tube & Connected Cap w O-Ring)	500	5,000	
TC-512	Natural	Bagged (Tube & Non-Connected Cap w O-Ring)	500	5,000	
TC-512-S	Natural	Bagged - S (Tube & Cap w O-Ring)	500	2,500	



\*\* Available in amber - Add \$.25 per unit.

## Centrifuge Tubes and Racks

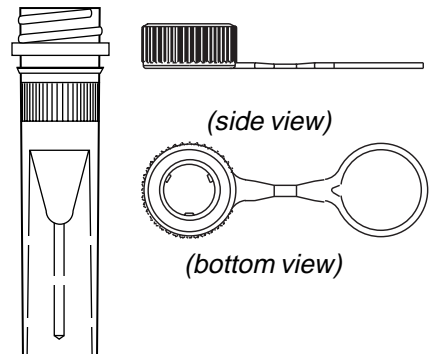
# 3

### Screw Cap Microtubes & Tether Cap

#### 0.5ml Free-Standing Tube and Tether Cap

Product No.	Color	Package Type	Qty/ Unit	Qty/ Case	Price/ Unit
516**	Natural	Bagged (Tube Only)	500	5,000	
TC-516	Natural	Bagged (Tube & Connected Cap w O-Ring)	500	5,000	
TC-517	Natural	Bagged (Tube & Non-Connected Cap w O-Ring)	500	5,000	
TC-517-S	Natural	Bagged - S (Tube & Cap w O-Ring)	500	2,500	

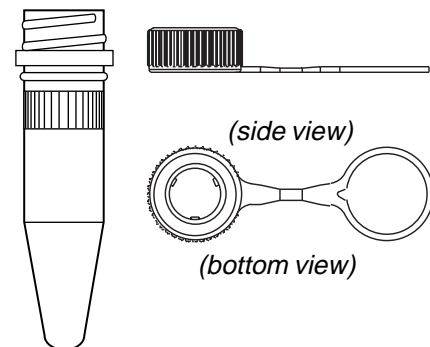
\*\* Available in amber - Add \$.25 per unit.



#### 1.5ml Conical Tube and Tether Cap

Product No.	Color	Package Type	Qty/ Unit	Qty/ Case	Price/ Unit
TC-513	Natural	Bagged (Tube & Non-Connected Cap w/o O-Ring)	500	5,000	
514**	Natural	Bagged (Tube Only)	500	5,000	
TC-514	Natural	Bagged (Tube & Connected Cap w O-Ring)	500	5,000	
TC-515	Natural	Bagged (Tube & Non-Connected Cap w O-Ring)	500	5,000	
TC-515-S	Natural	Bagged - S (Tube & Cap w O-Ring)	500	2,500	

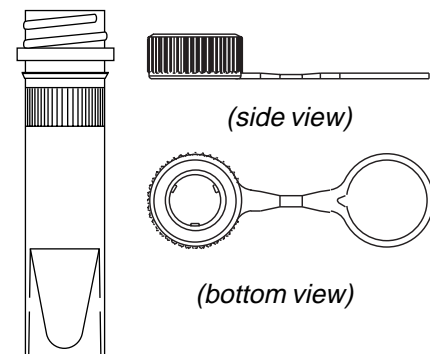
\*\* Available in amber - Add \$.25 per unit.



#### 1.5ml Free-Standing Tube and Tether Cap

Product No.	Color	Package Type	Qty/ Unit	Qty/ Case	Price/ Unit
TC-527	Natural	Bagged (Tube & Non-Connected Cap w/o O-Ring)	500	5,000	
528**	Natural	Bagged (Tube Only)	500	5,000	
TC-528	Natural	Bagged (Tube & Connected Cap w O-Ring)	500	5,000	
TC-529	Natural	Bagged (Tube & Non-Connected Cap w O-Ring)	500	5,000	
TC-529-S	Natural	Bagged - S (Tube & Cap w O-Ring)	500	2,500	

\*\* Available in amber - Add \$.25 per unit.

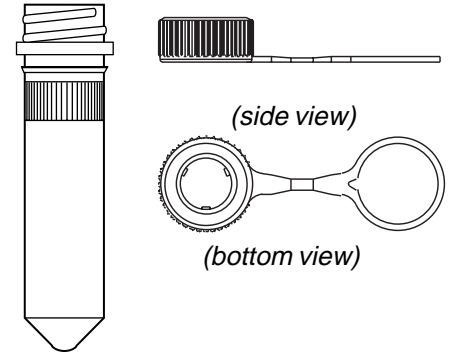


## Screw Cap Microtubes & Tether Cap

### 2.0ml Conical Tube and Tether Cap

Product No.	Color	Package Type	Qty/ Unit	Qty/ Case	Price/ Unit
521**	Natural	Bagged (Tube Only)	500	5,000	
TC-521	Natural	Bagged (Tube & Connected Cap w O-Ring)	500	5,000	
TC-522	Natural	Bagged (Tube & Non-Connected Cap w O-Ring)	500	5,000	
TC-522-S	Natural	Bagged - S (Tube & Cap w O-Ring)	500	2,500	

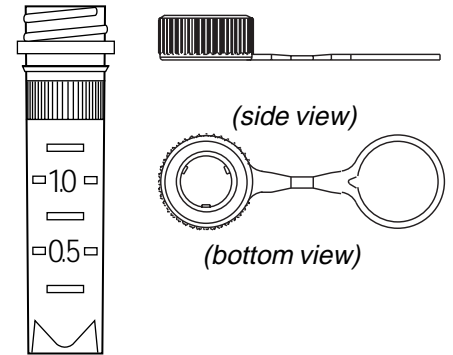
\*\* Available in amber - Add \$.25 per unit.



### 2.0ml "Graduated" Free-Standing Tube and Tether Cap

Product No.	Color	Package Type	Qty/ Unit	Qty/ Case	Price/ Unit
TC-518-GRD	Natural	Bagged (Tube & Non-Connected Cap w/o O-Ring)	500	5,000	
519-GRD**	Natural	Bagged (Tube Only)	500	5,000	
TC-519-GRD	Natural	Bagged (Tube & Connected Cap w O-Ring)	500	5,000	
TC-520-GRD	Natural	Bagged (Tube & Non-Connected Cap w O-Ring)	500	5,000	
TC-520-GRDS	Natural	Bagged - S (Tube & Cap w O-Ring)	500	2,500	

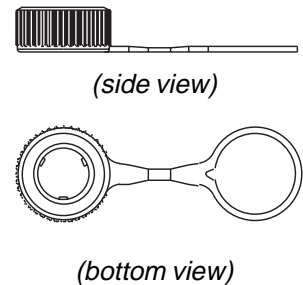
\*\* Available in amber - Add \$.25 per unit.



### Tether Screw Cap for Microtubes

With or without O-Ring

Product No.	Color	Package Type	Qty/ Unit	Qty/ Case	Price/ Unit
TC-524+	Natural	Bagged - (Cap Only w/o O-Ring)	500	5,000	
TC-525+	Natural	Bagged - (Cap Only w O-Ring)	500	5,000	



+ A variety of colored caps are available: red, blue, green, yellow, orange, violet, amber, white, black or mixed. (Mixed: All colors except natural, black, white and amber are mixed together in the bag.)

**Note:** Order black as BLK.

**Note:** Colored caps must be ordered by the case. Add \$.25 per unit.

## Centrifuge Tubes and Racks

### 3

## Low Adhesion Screw Cap Microtubes

Procedures requiring a low adhesion surface such as protein work and nucleic acid amplifications are simplified with our Low Adhesion Screw Cap Microtubes.

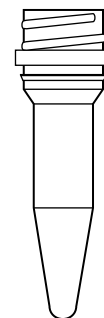
Scientifically blended resins eliminate the use of lubricants that may be harmful to priceless samples. Liquid retention is minimized and optimal yield is ensured.

Additional information about the tubes and four different QSP® caps can be found under: Screw Cap Microtubes & Caps and Screw Cap Microtubes & Tether Cap.

Refer to Section 6 for recommended autoclaving instructions.

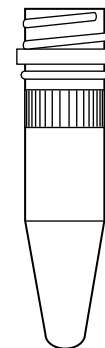
### 0.5ml Screw Cap Microtube

Product No.	Color	Package Type	Qty/ Unit	Qty/ Case	Price/ Unit
511-SC	Natural	Bagged (Tube Only)	500	5,000	



### 1.5ml Screw Cap Microtube

Product No.	Color	Package Type	Qty/ Unit	Qty/ Case	Price/ Unit
514-SC	Natural	Bagged (Tube Only)	500	5,000	



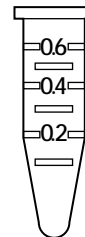
# Capless Microcentrifuge Tubes & Plug Closure

- Researchers can save valuable time by eliminating the need to cut off caps.
- Ideal for those procedures that do not require storage.
- Collecting fractions and mixing reagents is simplified with these capless, ultragrade polypropylene tubes.
- All three tubes feature frosted writing areas and graduation marks for quick volume estimation.

## 0.6ml Graduated Tube

*Polypropylene tube*

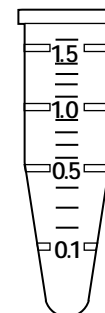
Product No.	Color	Package Type	Qty/ Unit	Qty/ Case	Price/ Unit
NC-502-GRD	Natural	Bagged	1,000	10,000	



## 1.5ml Graduated Tube

*Polypropylene tube*

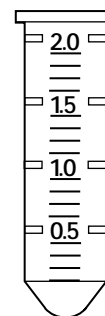
Product No.	Color	Package Type	Qty/ Unit	Qty/ Case	Price/ Unit
NC-509-GRD	Natural	Bagged	1,000	10,000	



## 2.0ml Graduated Tube

*Polypropylene tube*

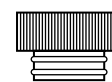
Product No.	Color	Package Type	Qty/ Unit	Qty/ Case	Price/ Unit
NC-508-GRD	Natural	Bagged	1,000	10,000	



## Plug Closure for 1.5ml and 2.0ml Capless Tubes

*Low Density Polyethylene plug*

Product No.	Color	Package Type	Qty/ Unit	Qty/ Case	Price/ Unit
506**	White	Bagged	1,000	5,000	



\*\* A variety of colored plugs are available: red, blue, green or yellow.  
**Note:** Colored plugs must be ordered by the case. Add \$.50 per unit.

## Centrifuge Tubes and Racks

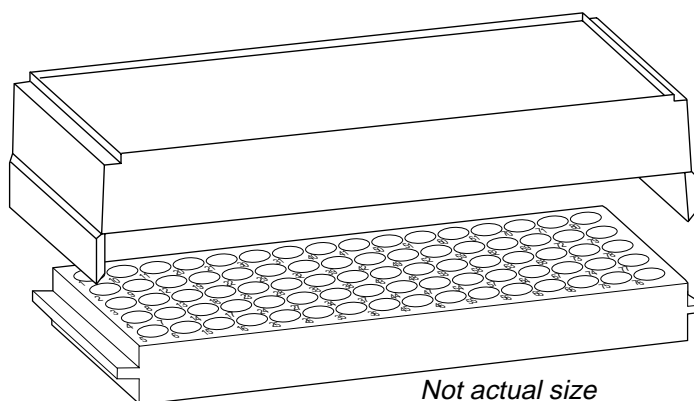
# 3

### 80 Well Microtube Rack & Snap On Cover

Originally designed as a fraction collection plate, our 80 well rack is now considered the standard of microtube racks and is ideal for storage and inventory of 1.5ml and 2.0ml microtubes.

- Each rack features a writing area on the side and bottom and each well is numbered for sample identification.
- Racks and covers are manufactured of polypropylene material, are autoclavable, and can withstand ultra low freezer temperatures.
- The clear cover easily snaps on and features a recessed area to allow for secure stacking of racks one on top of the other. (Accommodates the extra height of screw cap tubes)

**The wide variety of colors offer a simple and convenient way to color code an experiment, color code a lab or designate a specific color(s) for hazardous experiments.**



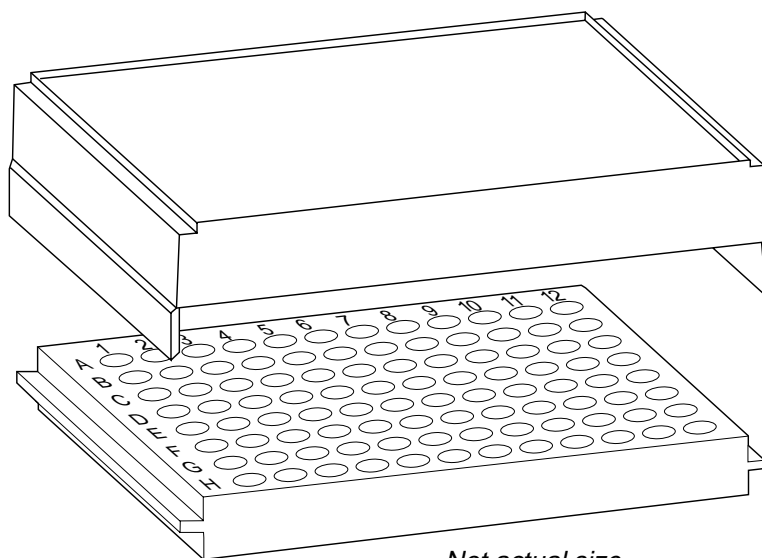
Product No.	Color	Package Type	Qty/ Unit	Qty/ Case	Price/ Unit
<i>Rack Only</i>					
900-N-20	Natural	Zip Lock Bag	5	20	
900-N	Natural	Boxed	48	48	
900-P-20	Pink	Zip Lock Bag	5	20	
900-P	Pink	Boxed	48	48	
900-F-P-20	Pink-Fluorescent	Zip Lock Bag	5	20	
900-F-P	Pink-Fluorescent	Boxed	48	48	
900-BLU-20	Blue	Zip Lock Bag	5	20	
900-BLU	Blue	Boxed	48	48	
900-F-BLU-20	Blue-Fluorescent	Zip Lock Bag	5	20	
900-F-BLU	Blue-Fluorescent	Boxed	48	48	
900-G-20	Green	Zip Lock Bag	5	20	
900-G	Green	Boxed	48	48	
900-F-G-20	Green-Fluorescent	Zip Lock Bag	5	20	
900-F-G	Green-Fluorescent	Boxed	48	48	
900-Y-20	Yellow	Zip Lock Bag	5	20	
900-Y	Yellow	Boxed	48	48	
900-F-Y-20	Yellow-Fluorescent	Zip Lock Bag	5	20	
900-F-Y	Yellow-Fluorescent	Boxed	48	48	
900-O-20	Orange	Zip Lock Bag	5	20	
900-O	Orange	Boxed	48	48	
900-F-O-20	Orange-Fluorescent	Zip Lock Bag	5	20	
900-F-O	Orange-Fluorescent	Boxed	48	48	
900-V-20	Violet	Zip Lock Bag	5	20	
900-V	Violet	Boxed	48	48	
900-BLK-20	Black	Zip Lock Bag	5	20	
900-BLK	Black	Boxed	48	48	
<i>Rack Cover Only</i>					
910-20	Natural	Zip Lock Bag	5	20	
910	Natural	Boxed	48	48	

## 96 Well Microtube Rack & Snap On Cover

Our QSP® 96 well reversible rack is designed to accommodate 0.5ml and 0.6ml microtubes on one side and 1.5ml and 2.0ml microtubes on the reverse side (8 X 12 configuration).

- Wells on either side are coded in the standard microtiter format. This rack also features writing areas for sample identification.
- The conical shaped wells keep the tubes centered and upright. Precise spacing of the wells allow all 96 to be used at the same time.
- Racks and covers are manufactured of polypropylene material, are autoclavable, and can withstand ultra low freezer temperatures.
- The clear cover easily snaps on and features a recessed area to allow for secure stacking of racks one on top of the other. (Accommodates the extra height of screw cap tubes)

**The wide variety of colors offer a simple and convenient way to color code an experiment, color code a lab or designate a specific color(s) for hazardous experiments.**



Product No.	Color	Package Type	Qty/ Unit	Qty/ Case	Price/ Unit
<i>Rack Only</i>					
920-N-20	Natural	Zip Lock Bag	5	20	
920-N	Natural	Boxed	48	48	
920-P-20	Pink	Zip Lock Bag	5	20	
920-P	Pink	Boxed	48	48	
920-F-P-20	Pink-Fluorescent	Zip Lock Bag	5	20	
920-F-P	Pink-Fluorescent	Boxed	48	48	
920-BLU-20	Blue	Zip Lock Bag	5	20	
920-BLU	Blue	Boxed	48	48	
920-F-BLU-20	Blue-Fluorescent	Zip Lock Bag	5	20	
920-F-BLU	Blue-Fluorescent	Boxed	48	48	
920-G-20	Green	Zip Lock Bag	5	20	
920-G	Green	Boxed	48	48	
920-F-G-20	Green-Fluorescent	Zip Lock Bag	5	20	
920-F-G	Green-Fluorescent	Boxed	48	48	
920-Y-20	Yellow	Zip Lock Bag	5	20	
920-Y	Yellow	Boxed	48	48	
920-F-Y-20	Yellow-Fluorescent	Zip Lock Bag	5	20	
920-F-Y	Yellow-Fluorescent	Boxed	48	48	
920-O-20	Orange	Zip Lock Bag	5	20	
920-O	Orange	Boxed	48	48	
920-F-O-20	Orange-Fluorescent	Zip Lock Bag	5	20	
920-F-O	Orange-Fluorescent	Boxed	48	48	
920-V-20	Violet	Zip Lock Bag	5	20	
920-V	Violet	Boxed	48	48	
920-BLK-20	Black	Zip Lock Bag	5	20	
920-BLK	Black	Boxed	48	48	
<i>Rack Cover Only</i>					
930-20	Natural	Zip Lock Bag	5	20	
930	Natural	Boxed	48	48	

## Centrifuge Tubes and Racks

# 3

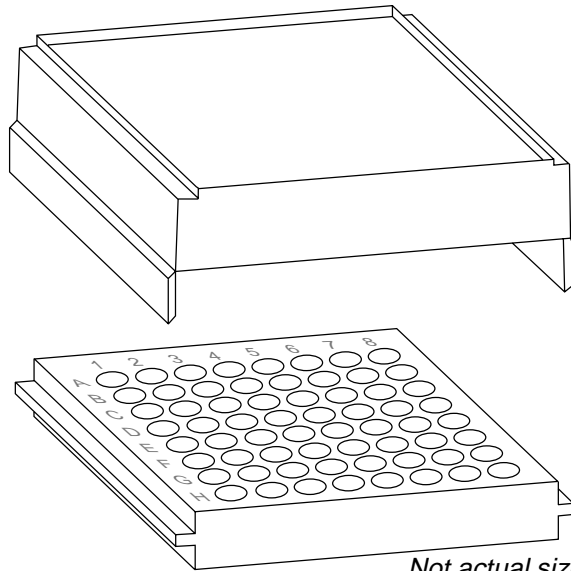
### 64 Well Microtube "Freezer" Rack & Snap On Cover

Designed as a replacement for the old 5 1/4 X 5 1/4 inch freezer storage box, our 64 well rack is manufactured of polypropylene and can withstand autoclaving (up to 15 minutes) and deep freezer storage (down to -90° C).

Its 8 X 8 configuration is designed to accommodate 0.5ml microtubes on one side and 1.5ml and 2.0ml microtubes on the reverse side.

- The polypropylene snap on cover (also autoclavable) stays firmly in place during transportation and storage. It features a recessed area to allow for secure stacking of racks one on top of the other and accommodates the extra height of screw cap tubes.
- Wells on either side are coded in the standard microtiter format. This rack also features writing areas for sample identification.

**The wide variety of colors offer a simple and convenient way to color code an experiment, color code a lab or designate a specific color(s) for hazardous experiments.**



Product No.	Color	Package Type	Qty/ Unit	Qty/ Case	Price/ Unit
<i>Rack Only</i>					
940-N-20	Natural	Zip Lock Bag	5	20	
940-N	Natural	Boxed	48	48	
940-P-20	Pink	Zip Lock Bag	5	20	
940-P	Pink	Boxed	48	48	
940-F-P-20	Pink-Fluorescent	Zip Lock Bag	5	20	
940-F-P	Pink-Fluorescent	Boxed	48	48	
940-BLU-20	Blue	Zip Lock Bag	5	20	
940-BLU	Blue	Boxed	48	48	
940-F-BLU-20	Blue-Fluorescent	Zip Lock Bag	5	20	
940-F-BLU	Blue-Fluorescent	Boxed	48	48	
940-G-20	Green	Zip Lock Bag	5	20	
940-G	Green	Boxed	48	48	
940-F-G-20	Green-Fluorescent	Zip Lock Bag	5	20	
940-F-G	Green-Fluorescent	Boxed	48	48	
940-Y-20	Yellow	Zip Lock Bag	5	20	
940-Y	Yellow	Boxed	48	48	
940-F-Y-20	Yellow-Fluorescent	Zip Lock Bag	5	20	
940-F-Y	Yellow-Fluorescent	Boxed	48	48	
940-O-20	Orange	Zip Lock Bag	5	20	
940-O	Orange	Boxed	48	48	
940-F-O-20	Orange-Fluorescent	Zip Lock Bag	5	20	
940-F-O	Orange-Fluorescent	Boxed	48	48	
940-V-20	Violet	Zip Lock Bag	5	20	
940-V	Violet	Boxed	48	48	
940-BLK-20	Black	Zip Lock Bag	5	20	
940-BLK	Black	Boxed	48	48	
<i>Rack Cover Only</i>					
950-20	Natural	Zip Lock Bag	5	20	
950	Natural	Boxed	48	48	